

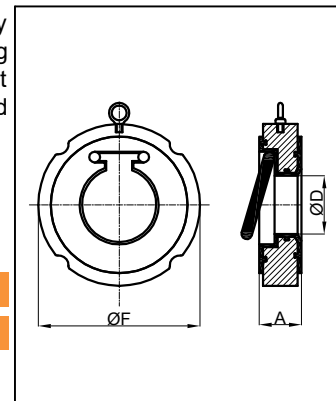


### Features



Lined Wafer check Valve are non return valves. They are commonly used for corrosive services, low cracking pressure suitable for low pressure application. Tight sealing against the back pressure, no leakage and highly reliable.

Design Standard : Manufacturing Standard  
 Testing Standard : API 598



### Test Pressure in Bar

Class		150
Hydro Test	Body	15
	Seat	11
Spark Test	Body & Disc	20 Kv

### Size Class - 150

mm	in	A	ØD	ØF
50	2	43	26	113
80	3	46	42	147
100	4	52	65	180
150	6	56	111	236
200	8	60	133	290
250	10	68	184	344
300	12	78	232	415

All Dimensions are in "mm"

### MATERIALS

Body	ASTM A 216 Gr. WCB, ASTM A 351 Gr. CF8 / CF8M, ASTM A 352 Gr. LCB, Hast Alloy, Super Duplex, Alloy 20
Disc	ASTM A 216 Gr. WCB, ASTM A 351 Gr. CF8 / CF8M, ASTM A 352 Gr. LCB, Hast Alloy, Super Duplex, Alloy 20
Body Lining	PFA, FEP
Ends	Wafer Type

### NOTE:

- Please specify flow medium, working pressure, temperature & service conditions.
- Other materials not mentioned above are available on request.
- Lining Thickness minimum 3 mm.
- Raised Face without serration.
- Face to Face standard as per BS EN 558 (Series 20)
- End Connection as per ASME B 16.5
- In the process of continuous improvement of products, the data given herein is subject to change.



T.S. PUMPS & VALVES PVT.LTD.

B-490, Industrial Estate, Gokul Road,  
 Hubballi-580030, Karnataka, INDIA  
 Phone : +91-836-2331096 / 0836-2210615  
 Email : tsvalves9@gmail.com / tspv9@airtelmail.in  
 Website : www.tsvalvesindia.com

TSPV: CAT-018/R-00  
 Date : 23/02/2021