



SLEEVED PLUG VALVE

CLASS: 150 & 300

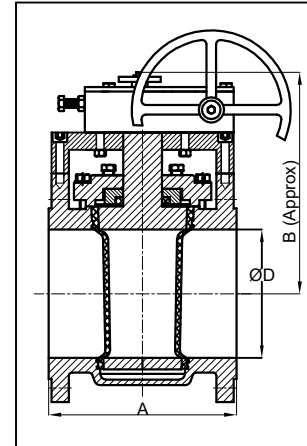
Features

PTFE Sleeved Plug provides low operating torque with quarter turn actuation and these valves are light in weight, compact size and easy for maintenance

Design Standard : API 599
Testing Standard : API 598

Test Pressure in Bar

	Class	150	300
Hydro Test	Shell	30	76
	Seat	22	56
Air Test	Seat	07	07



Size		Class - 150			Class - 300		
mm	in	A	B	ØD	A	B	ØD
15	1/2	108	90	13	140	70	13
20	3/4	117	95	19	152	90	19
25	1	127	100	25	165	100	25
40	1 1/2	165	130	38	190	120	38
50	2	178	155	51	216	145	51
65	2 1/2	190	140	64	241	150	64
80	3	203	180	76	282	160	76
100	4	229	210	102	305	200	102
150	6	267	277	152	403	280	152
200	8	292	320	203			
250	10	330	365	254			
300	12	356	410	305			

All Dimensions are in "mm"

MATERIALS

Body & Cover	ASTM A 216 Gr. WCB, ASTM A 351 Gr. CF8/ CF8M/ CF3/ CF3M.
Plug	ASTM A 216 Gr. WCB, ASTM A 351 Gr. CF8/ CF8M/ CF3/ CF3M.
Sleeve	PTFE, Glass PTFE, Carbon PTFE, Graphite PTFE
Fasteners	ASTM A 193 Gr. B7 / ASTM A 194 Gr. 2H
Operation	Manual Lever, Gear Box, Actuator.

NOTE:

- Please specify flow medium, working pressure, temperature & service conditions.
- Other materials not mentioned above are available on request.
- Valve Sizes from DN 15 to DN 100 are Wrench Operated.
- Valve Sizes from DN 150 & above are Gear Operated.
- Face to Face standard as per ASME B 16.10
- End Connection as per ASME B 16.5
- Butt Weld End as per ASME B 16.25
- Valves are also available with screwed ends for sizes DN 15 to DN 50.
- Valves can be supplied with Jacketing.
- In the process of continuous improvement of products, the data given herein is subject to change.

T.S. PUMPS & VALVES PVT.LTD.

B-490, Industrial Estate, Gokul Road,
Hubballi-580030, Karnataka, INDIA
Phone : +91-836-2331096 / 2210615
Email : sales@tsvalvesindia.com
Website : www.tsvalvesindia.com



TSPV: CAT-012/R-00
Date : 10/06/2020